

Highlights

- Wide temperature range from -40 to 2250°C (-40 to 4082°F)
- Optical resolution up to 100:1
- Spot sizes down to 1.1 mm (0.04 in)
- Variable focus from 0.2 to 2.2 m (0.7 to 72 ft)
- Fast response time down to 20 ms
- Real time video monitoring and recording capability
- Through-the-lens sighting with video or laser aiming
- Digital RS485 communications (networkable)
- Real time ambient background radiation compensation
- Simultaneous analogue and digital outputs
- Programmable relay output
- Ambient temperatures up to 315°C (600°F) with ThermoJacket™
- Compact, rugged design, IP65 / NEMA-4 rated
- DataTemp® Multidrop software for remote configuration

Electrical Specifications

Outputs	
mA	0/4-20 mA
Relay	48 V, 300 mA, response time < 2 ms
RS485	2-wire or 4-wire, networkable to 32 sensors
Video	analog, NTSC, 510x492 pixel, FOV 8°
Inputs	
	Emissivity setting, background radiation compensation, trigger, laser on/off (software enabled)
Power Supply	
	24 VDC ±20%, 500 mA

General Specifications

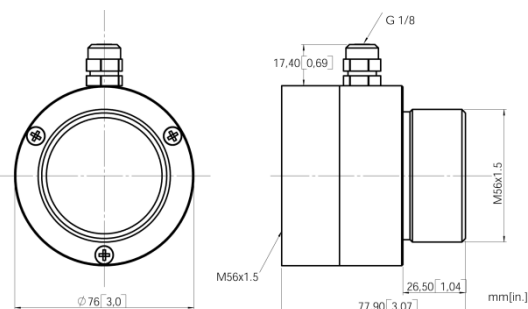
Environmental Rating	IP65 (IEC529), NEMA-4
Ambient Temperature	
without cooling	5 to 65°C / 41 to 149°F (video: 50°C/122°F)
with air cooling	10 to 120°C (50 to 250°F)
with water cooling	10 to 175°C (50 to 350°F)
with ThermoJacket	10 to 315°C (50 to 600°F)
Storage Temperature	-20 to 70°C (-4 to 158°F)
Relative Humidity	10 to 95%, non-condensing
Shock	IEC 68-2-27
Vibration	IEC 68-2-6
Weight	700 g (25 oz)

Options

Options must be specified at time of order.

- Laser sighting (...L) or Video sighting (...V)
- Variable focus (...VF1)
- Water-Cooled Housing, incl. Air Purge Collar (...W)
- Manufacturer's Calibration Certificate based on certified probes traced on national standards, e.g. DAKKS (XXXMMCERT)

Air Purge Collar (XXXMMACAP)



Marathon Series

MM LT, G7, G5, MT, 3M

Datasheet



Measurement Specifications

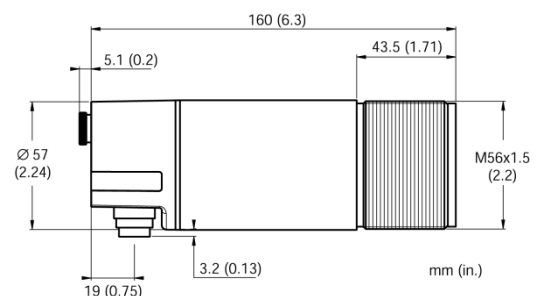
Temperature Range	
LT	-40 to 800°C (-40 to 1472°F)
G7	300 to 900°C (572 to 1652°F)
G5L	250 to 1650°C (482 to 3002°F)
G5H	450 to 2250°C (842 to 4082°F)
MT	250 to 1100°C (482 to 2012°F)
3M	100 to 600°C (212 to 1112°F)
Spectral Response	
LT	8 to 14 μm
G7	7.9 μm
G5	5 μm
MT	3.9 μm
3M	2.1 – 2.5 μm
System Accuracy¹	
LT	± 1% of reading or ± 1°C for $T_{\text{meas}} > 0^\circ\text{C}$ (32°F)
G5L, G5H, G7	± 1% of reading
MT	± 1% of reading for $T_{\text{meas}} > 350^\circ\text{C}$ (662°F) ± 2°C or ± 2% for $T_{\text{meas}} < 350^\circ\text{C}$ (662°F) ²
3M	± 1% of reading for $T_{\text{meas}} > 150^\circ\text{C}$ (302°F) ± 5°C for $T_{\text{meas}} < 150^\circ\text{C}$ (302°F)
Repeatability³	
	± 0.5% of reading or ± 0.5°C ²
Temperature Resolution (mA)	
	0.1 K
Response Time (95%)	
LT, MT, G7	120 ms
G5	60 ms
3M	20 ms
Emissivity	
	0.100 to 1.150 in 0.001 increments
Signal Processing	
	Peak hold, valley hold, averaging, ambient background temperature compensation

¹ at 23°C ±5°C (73°F ±9°F), emissivity = 1.0, and time response 1.0 s

² whichever is greater

³ at 23°C ±5°C (73°F ±9°F)

Dimensions



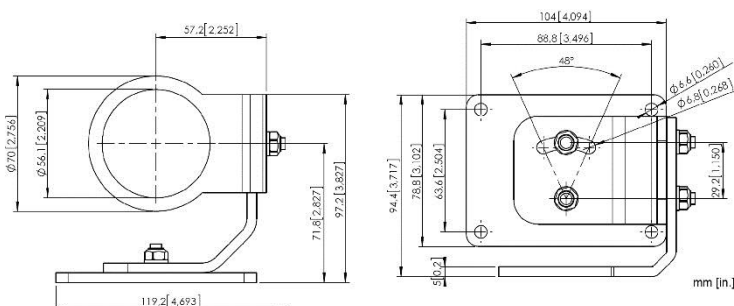
Accessories

The models include through-the-lens sighting, mounting nut (stainless steel), fixed bracket (stainless steel), an operator's manual and DataTemp Multidrop Software.

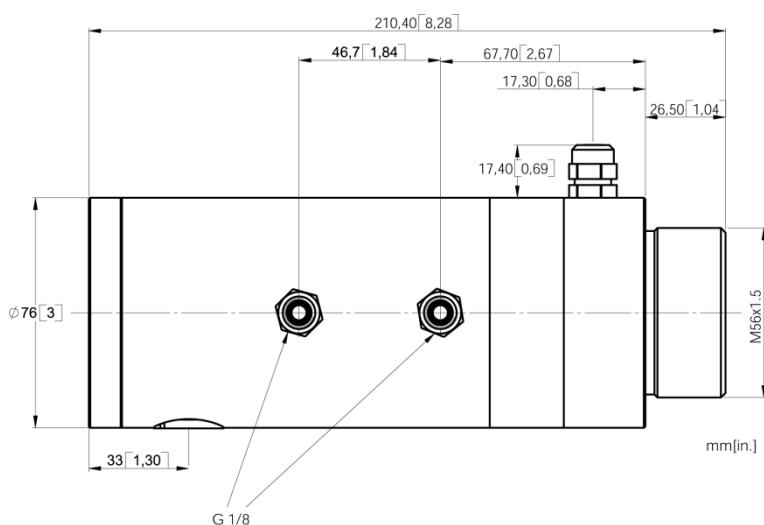
Additional accessories are available:

- Sight Tube made from stainless steel up to 800°C/1472°F (XXXST12)
- Sight Tube made from ceramic up to 1500°C/2732°F (XXXSTC12)
- Pipe Thread Adapter made from stainless steel (XXXMMACPA)
- Protective Window for LT, MT, G5 (XXXMMACTWL)
- USB/RS485 Converter (XXXUSB485)
- Industrial Power Supply 100/240 VAC to 24 VDC, 1.25 A (XXXSYSYS)
- Low Temp Cable (XXX2CLTCB...)
- High Temp Cable (XXX2CCB...)
- Terminal Block (XXXMATB)
- Terminal Block including 24 VDC power supply (110/230 VAC input) and IP65/NEMA-4 rated housing (RAYMAPB)
- ThermoJacket enclosure for ambient temperatures to 315°C/600°F (RAYTXJT4), see also ThermoJacket datasheet

Adjustable Bracket (XXXMMACAB)



Air/Water-Cooled Housing (...W)



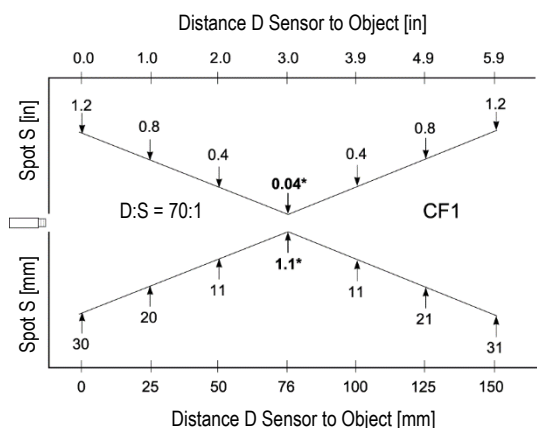
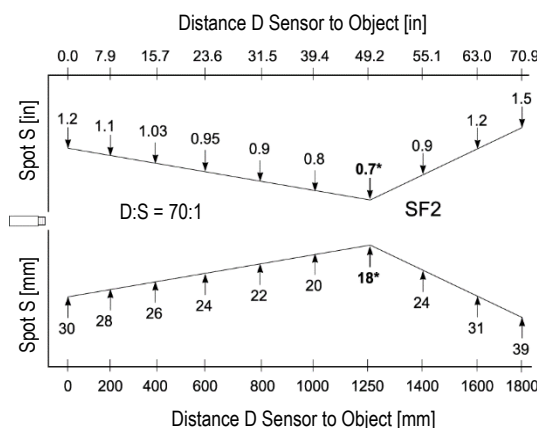
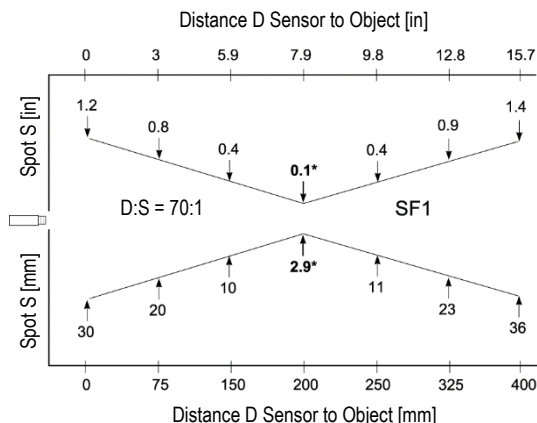
Optical Specifications

Optical Resolution (90% energy, for the focus point)

LT, MT, G5, 3M	70:1
G7	100:1

Optics

LT, MT, G5, G7	SF1, SF2, SF3
LT, 3M	CF1



B.L.W. Visser B.V.

Cromhoffsbleekweg 146
7513 EW ENSCHEDE
Nederland

Tel: +31 (0)53 4319661
E-mail: info@blwvisser.nl
Internet: www.blwvisser.nl

Fluke Process Instruments

Americas

Santa Cruz, CA USA
Tel: +1 800 227 8074 (USA/Canada only)
+1 831 458 3900
solutions@flukeprocessinstruments.com

EMEA

Berlin, Germany
Tel: +49 30 4 78 00 80
info@flukeprocessinstruments.de

China

Beijing, China
Tel: +86 10 6438 4691
info@flukeprocessinstruments.cn

Japan

Tokyo, Japan
Tel: +81 03 6714 3114
info@flukeprocessinstruments.jp

Asia East and South

India Tel: +91 22 2920 7691
Singapore Tel: +65 6799 5578
sales.asia@flukeprocessinstruments.com

Worldwide Service

Fluke Process Instruments offers services, including repair and calibration. For more information, contact your local office.

www.flukeprocessinstruments.com

© 2016 Fluke Process Instruments
Specifications subject to change without notice. 10/2016 – Rev. D2, 58203

